

## COUNTERTOP MULTI-FLEXIBLE LINE



## COUNTERTOP MULTI-FLEXIBLE LINE

For chefs who need a highly specialized cooking system when working in a small space, they must pay particular attention to comfort and safety. The characteristics of moving at any time and an affordable price attract more chefs in small and medium-sized restaurants to turn to induction cookers. Induction technology heats the pot body, not the surface or surrounding area, so almost no heat is radiated into the air. Keeping the temperature in the kitchen cool is a great benefit. Whether it is frying, stir-frying, stewing, keeping warm and other cooking methods, the countertop induction cooker can do this perfectly. The 3500W light-duty line can achieve intermittent heating with the minimum power of 1000w to help keep food warm. Medium-duty line and heavy-duty line provide more power options, and you will benefit from the simplest knob or button operation.

## COUNTERTOP MULTI-FLEXIBLE LINE: LIGHT DUTY



PORTABLE COUNTERTOP INDUCTION COOKER

### MODELS

LT-TMP-A335

### SAFETY FEATURES

- Over-heat protection
- High voltage protection
- Low voltage protection
- Overcurrent protection
- Dry burn protection

### APPLICATION

Cafes bar, bakery, food truck, traveling food stalls and fast food restaurant.

### FEATURES

- Push-button control with a timer to read the cooking-time
- Designed with small size and light weight, easy to move
- Available intermittent heating at 1 power level
- Smooth and beautiful glass-ceramics surface, easy to clean
- Four flared feet design to prevent the cooktop from moving
- No open flame makes this a safer
- Using German "Infineon" IGBT chip
- 95% energy efficiency
- CE approved
- One year parts warranty

### DIGITAL CONTROL MODELS

- Power-on and heat-on indicator lamps
- The fault code display with built-in protected controls
- Push button controls (Constant Temperature, Timer, Soup, Firepower +/- )

### MANUAL CONTROL MODELS

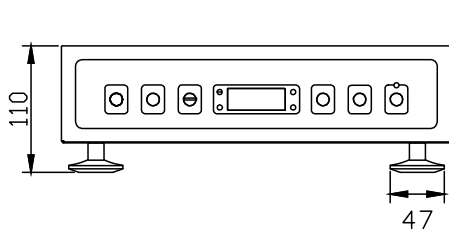
- Push-button control

**COUNTERTOP MULTI-FLEXIBLE LINE: LIGHT DUTY**

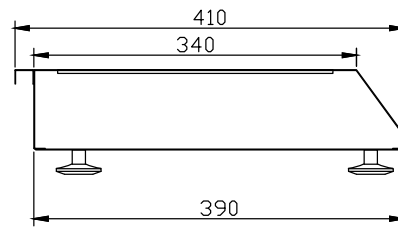
Model Item	Length	Width	Height	Glass Size	Heating Area
LT-TMP-A335	340	410	110	290*290	240*240

Electrical Connection: 3.5KW / 200V-240V / 50Hz / Single Phase

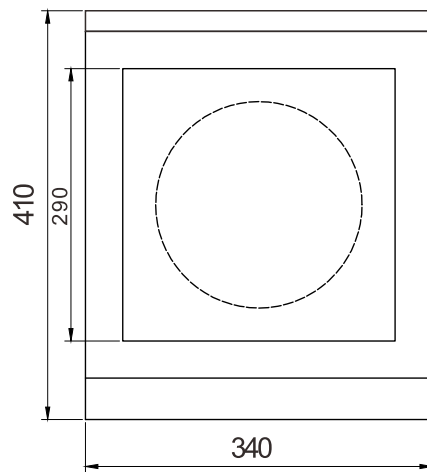
Product Line	Power/Voltage	Corresponding power							
		1 Level	2 Level	3 Level	4 Level	5 Level	6 Level	7 Level	8 Level
Light Duty Line	3500W/220V	1012W	1012W	1342W	1804W	2156W	2574W	2948W	3322W



Front View



Side View



Top View

## COUNTERTOP MULTI-FLEXIBLE LINE: MEDIUM DUTY



COUNTERTOP INDUCTION COOKER

### MODELS

LT-TMP-B135  
LT-TPM-B105

### SAFETY FEATURES

- Over-heat protection
- High voltage protection
- Low voltage protection
- Overcurrent protection
- Dry burn protection

### APPLICATION

Cafes bar, bakery, food truck, traveling food stalls and fast food restaurant.

### FEATURES

- #304 stainless steel housing, fully pressed seamless top
- Surface with 4mm thickness high temperature resistant glass-ceramics, easy to clean
- 360° knob switch control, easy to operate
- 8 level power adjusting for high-speed heating
- Built-in turbofans for quicker cool-down
- Four flared feet design can prevent the stove from moving
- Using German "Infineon" IGBT chip
- 95% energy efficiency
- CE approved
- One year parts warranty

### DIGITAL CONTROL MODELS

- Power-on and heat-on indicator lamps
- Corresponding power level with LED display
- The fault code display with built-in protected controls
- Push button controls for easy cleaning

### MANUAL CONTROL MODELS

- Knob power control, from 0 level to 8 level (3500w/5000w)

## COUNTERTOP MULTI-FLEXIBLE LINE: MEDIUM DUTY

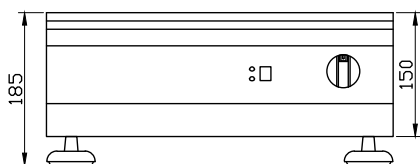
Model Item	Length	Width	Height	Glass Size	Heating Area
LT-TPM-B135	420	470+50	180	330*330	240*240

Electrical Connection: 3.5KW / 200V-240V / 50Hz / Single Phase

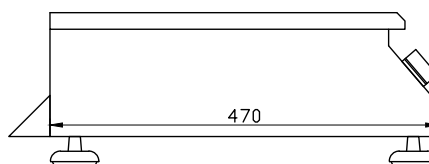
LT-TPM-B105	420	470+50	300+100	330*330	240*240
-------------	-----	--------	---------	---------	---------

Electrical Connection: 5KW / 200V-240V / 50Hz / Single Phase

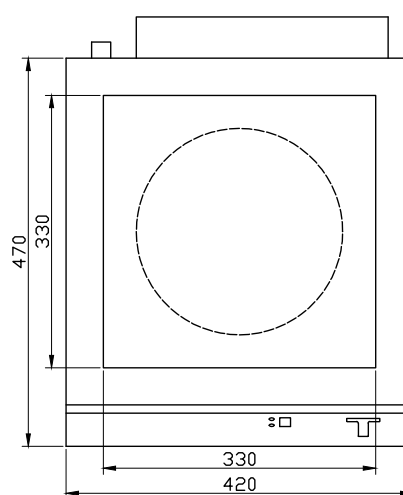
Product Line	Power/Voltage	Corresponding power							
		1 Level	2 Level	3 Level	4 Level	5 Level	6 Level	7 Level	8 Level
Medium Duty Line	3500W/220V	1012W	1012W	1342W	1804W	2156W	2574W	2948W	3322W
	5000W/220V	1584W	1584W	2112W	2706W	3256W	3806W	4378W	4950W



Front View



Side View



Top View

## COUNTERTOP MULTI-FLEXIBLE LINE: HEAVY DUTY



COUNTERTOP INDUCTION COOKER

### MODELS

LT-TPM-B535  
LT-TPM-B505  
LT-TPM-E105  
LT-TPM-E108  
LT-TPM-E112

### SAFETY FEATURES

- Over-heat protection
- High voltage protection
- Low voltage protection
- Overcurrent protection
- Dry burn protection

### APPLICATION

Cafes bar, bakery, food truck, traveling food stalls and fast food restaurant.

### FEATURES

- Durable #304 stainless steel housing
- Fully pressed seamless top, beautiful and easy to clean
- Surface with 4mm thickness high temperature resistant glass-ceramics
- 360° knob switch control, easy to operate
- High-power design for rapid heating
- Built-in turbofans for quicker cool-down
- Four flared feet design can prevent the stove from moving
- Using German "Infineon" IGBT chip
- 95% energy efficiency
- CE approved
- One year parts warranty

### DIGITAL CONTROL MODELS

- Power-on and heat-on indicator lamps
- Corresponding power level with LED display
- The fault code display with built-in protected controls
- Knob power controls for easy cleaning

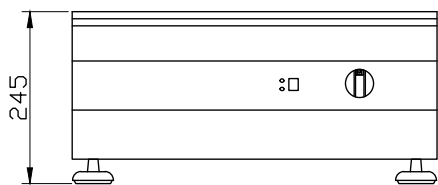
### MANUAL CONTROL MODELS

- Knob power control, from 0 level to 8 level (3500w/5000w/8000W/12000W)

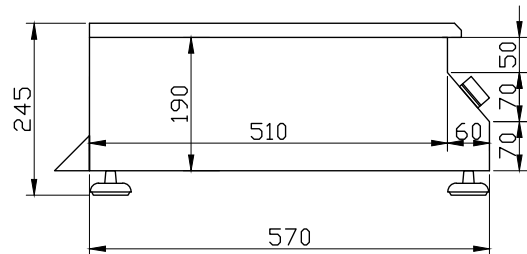
## COUNTERTOP MULTI-FLEXIBLE LINE: HEAVY DUTY

Model Item	Length	Width	Height	Glass Size	Heating Area
LT-TPM-B535/B505	520	570+50	250	Φ430	Φ340
Electrical Connection: 3.5KW / 5KW / 200V-240V / 50Hz / Single Phase					
LT-TPM-E105/E108/E112	520	570+50	250	Φ430	Φ340
Electrical Connection: 5KW / 8KW / 12KW / 340V-460V / 3 Phases					

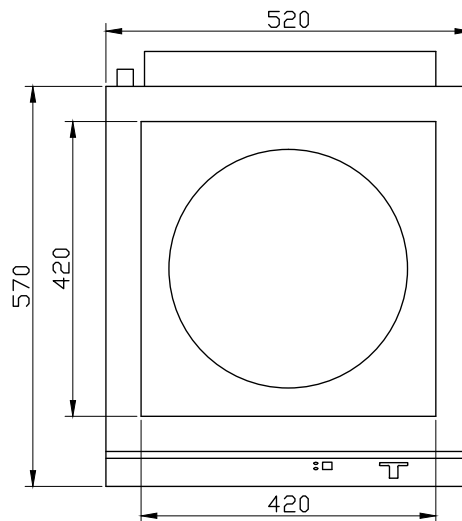
Product Line	Power/Voltage	Corresponding power							
		1 Level	2 Level	3 Level	4 Level	5 Level	6 Level	7 Level	8 Level
Heavy Duty Line	3500W/220V	1012W	1012W	1342W	1804W	2156W	2574W	2948W	3322W
	5000W/220V	1584W	1584W	2112W	2706W	3256W	3806W	4378W	4950W
	8000W/380V	1600W	2100W	2670W	3730W	4800W	5860W	6930W	8000W
	12000W/380V	2400W	3200W	4000W	5600W	7200W	8800W	10000W	12000W



Front View



Side View



Top View